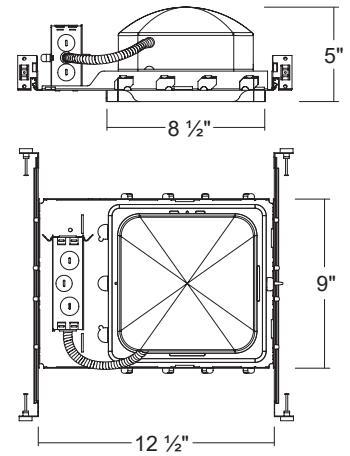


HSQ-800

8" Non-IC Air-Tight Square Incandescent New construction Housing (Max. 100W)



Dimensions



ORDERING INFORMATION

Model No.	Description
HSQ-800	8" Non-IC Air-Tight Square Incandescent New construction Housing (Max. 100W)

SPECIFICATION

Plaster Frame

- Galvanized steel construction

Junction Box

- Listed for through branch circuit wiring
- Contains seven 7/8" knockouts and four Romex pryouts with strain relief

Bar Hanger

- Pre-installed Real nail easily installs in regular lumber, engineered lumber
- Bar Hangers are adjustable from 13-5/8" to 25" and can be repositioned 90 degree on plaster frame

Thermal Protector

- Self resetting thermal protector deactivates fixture if overheating occurs due to improper lamping or misapplied insulation.

Listings

- cULus Listed for Damp Location
- cULus Listed for Feed Through

COMPATIBLE TRIMS

TQ821 Albalite



- Incandescent
100W A19

TQ831 Fresnel



- Incandescent
100W A19

TQ801 Prismatic



- Incandescent
100W A19